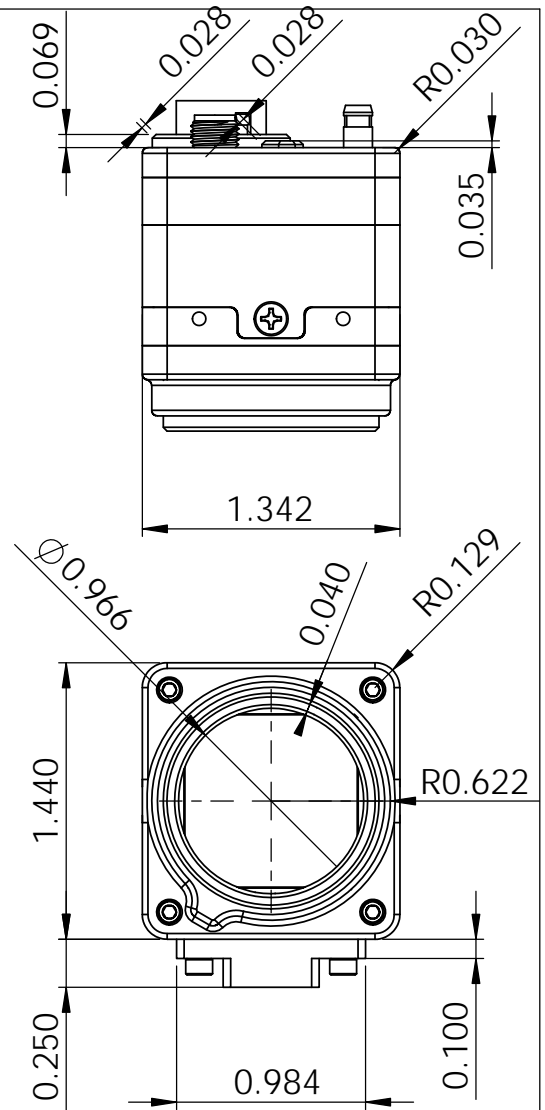
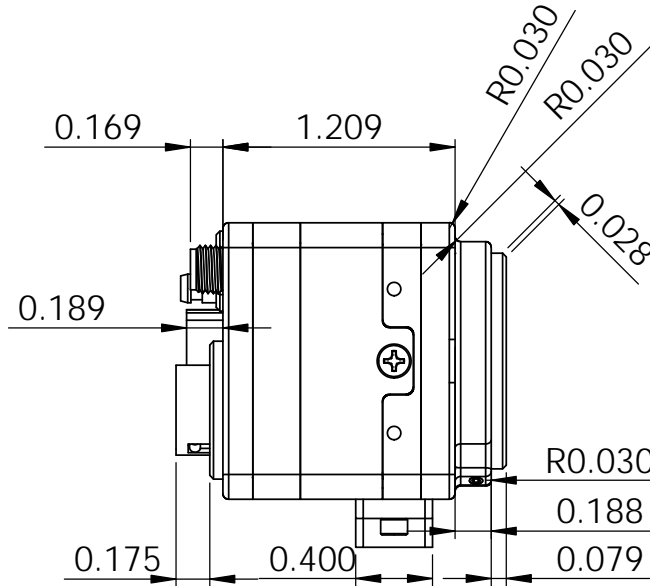
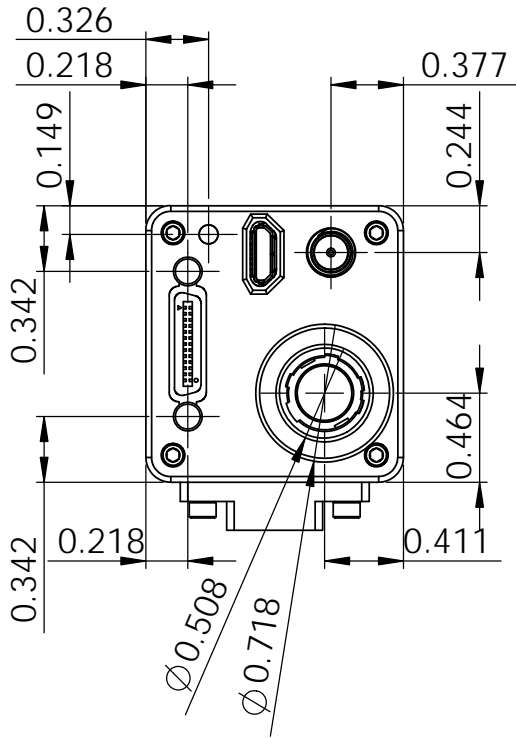
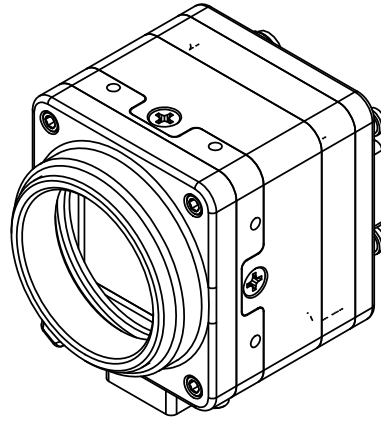


DIMENSIONS FOR REFERENCE ONLY

**NOTES: UNLESS OTHERWISE SPECIFIED
DIMENSIONS ARE IN INCHES**



	NAME	DATE
DRAWN	LEB	12/11/16
CHECKED		
ENG APPR.		
MFG APPR.		
Q.A.		

PHOTONIS USA, Inc.
TITLE:
ASSY. NOCTURN XL

PROPRIETARY AND CONFIDENTIAL
THE INFORMATION CONTAINED IN THIS DRAWING IS THE SOLE PROPERTY OF PHOTONIS USA, Inc.. ANY REPRODUCTION IN PART OR AS A WHOLE WITHOUT THE WRITTEN PERMISSION OF PHOTONIS USA, Inc. IS PROHIBITED.

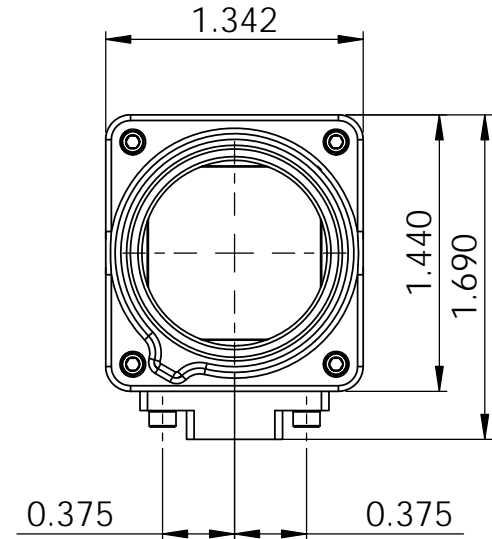
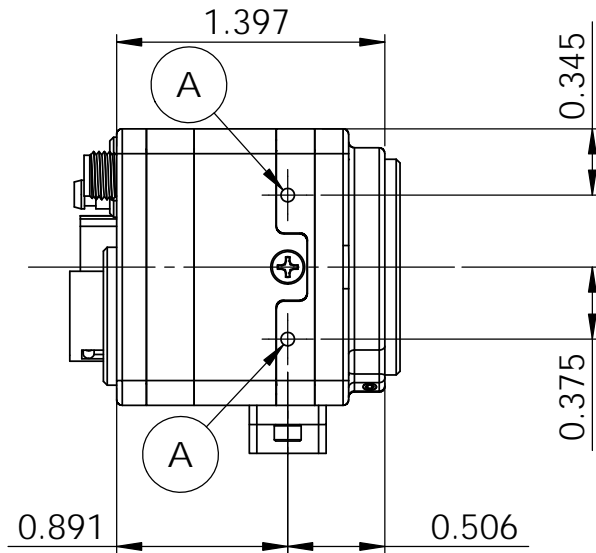
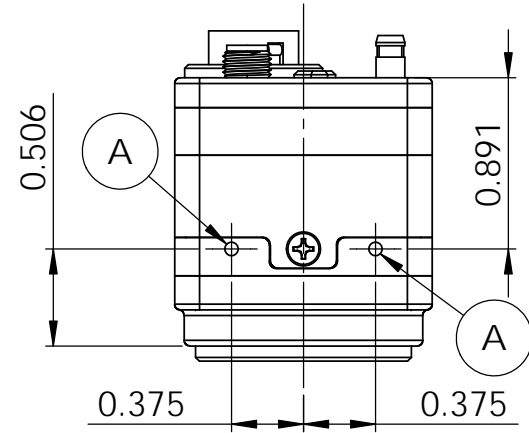
COMMENTS:

SIZE A	DWG. NO. 200-AS-1000	REV B
SCALE: 1:1	WEIGHT:	SHEET 1 OF 3

DIMENSIONS FOR REFERENCE ONLY

**NOTES: UNLESS OTHERWISE SPECIFIED
DIMENSIONS ARE in INCHES**

A - #50 DRILL ∇ 0.197 AND 2-56 UNC - 2B TAP ∇ 0.138



	NAME	DATE	PHOTONIS USA, Inc.	
DRAWN	LEB	12/11/16	TITLE:	
CHECKED			ASSY. NOCTURN XL	
ENG APPR.			SIZE DWG. NO. REV	
MFG APPR.			A 200-AS-1000 B	
Q.A.			SCALE: 1:1 WEIGHT: SHEET 2 OF 3	
COMMENTS:				

PROPRIETARY AND CONFIDENTIAL
THE INFORMATION CONTAINED IN THIS DRAWING IS THE SOLE PROPERTY OF PHOTONIS USA, Inc. ANY REPRODUCTION IN PART OR AS A WHOLE WITHOUT THE WRITTEN PERMISSION OF PHOTONIS USA, Inc. IS PROHIBITED.